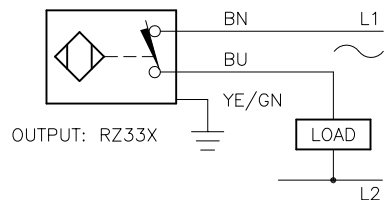
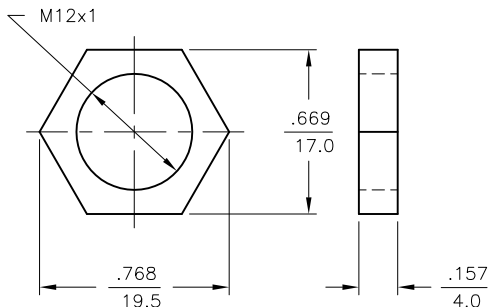


WIRING DIAGRAMS



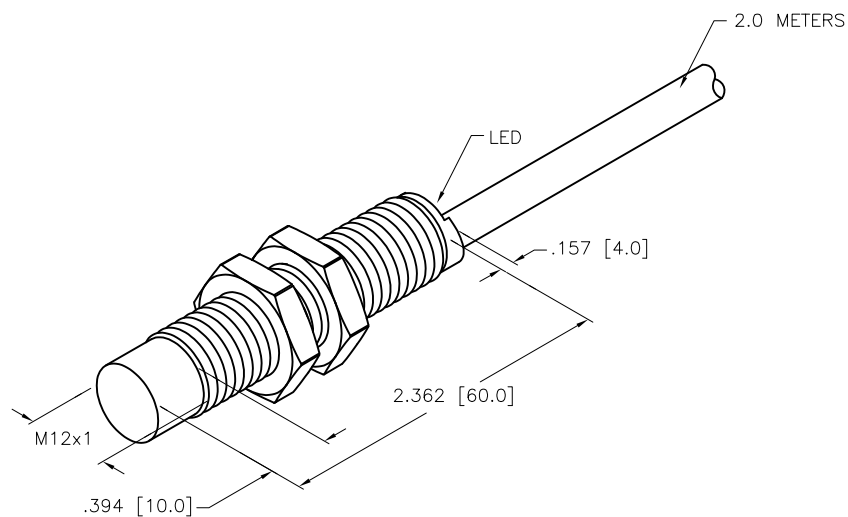
WARNING: NO SHORT-CIRCUIT PROTECTION.
ALWAYS WIRE A LOAD IN SERIES WITH THE SENSOR.

LOCKNUT LN-M12



SPECIFICATIONS

RATED OPERATING DISTANCE	4mm = .157"
MOUNTING MODE	FLUSH
TEMPERATURE DRIFT	≤±10%
HYSTERESIS	3-15%
MIN. REPEAT ACCURACY	≤2%
OPERATING TEMPERATURE	-25°C to +70°C (-13°F to +158°F)
RATED OPERATIONAL VOLTAGE	20-250 VAC/10-300 VDC
RESIDUAL RIPPLE	≤ 10%
RATED OPERATIONAL CURRENT	≤ 100 mA
RESIDUAL CURRENT	≤ 1.7 mA
RATED INSULATION VOLTAGE	≤ 0.5 kV
SHORT-CIRCUIT PROTECTION	YES
MAX. VOLTAGE DROP	≤ 6 V
MIN. OPERATIONAL CURRENT	≥ 3 mA
LINE FREQUENCY	40-60 Hz
MAX. SWITCHING FREQUENCY	≤ 0.6 kHz
OUTPUT FUNCTION	2-WIRE, NORMALLY CLOSED, SELF CONTAINED
HOUSING MATERIAL	BRASS/CHROME-PLATED
ACTIVE FACE MATERIAL	PLASTIC, PA12-GF30
CABLE	PVC
VIBRATION RESISTANCE	55 Hz (IN ALL 3 PLANES)
SHOCK RESISTANCE	30 g, 11 ms
DEGREE OF PROTECTION	IP 67
SWITCHING STATUS INDICATION	LED, YELLOW



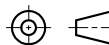
RELATED DOCUMENTS

- 1.
- 2.
- 3.
- 4.

MATERIAL
SEE SPECIFICATIONS

FINISH
SEE SPECIFICATIONS

3RD ANGLE PROJECTION



ALL DIMENSIONS
DISPLAYED ON THIS
DRAWING ARE FOR
REFERENCE ONLY

CONTACT TURCK
FOR MORE
INFORMATION

THIS DRAWING IS
CONFIDENTIAL AND THE
PROPERTY OF TURCK
INC. USE OF THIS
DOCUMENT WITHOUT
WRITTEN PERMISSION IS
PROHIBITED.

DRFT SWC DATE 8/2/94
APVD SCALE 1=1.0

UNIT OF MEASUREMENT
INCH [MILLIMETER]

DO NOT SCALE THIS DRAWING

TURCK

3000 CAMPUS DRIVE
MINNEAPOLIS, MN 55441
1-800-544-7769
(763) 553-7300
(763) 553-0708 fax
www.turck.us

DESCRIPTION
NI4-G12-RZ33X

IDENTIFICATION NO.
1314202

REV
E

FILE: 1314202

SHEET 1 OF 1

E	UPDATE ID NUMBER PER HARMONIZATION PROJECT	CBM	11/06/17	
REV	DESCRIPTION	BY	DATE	ECO NO.